

# XL7 OCS

## The World's Most Connected All-In-One Controller

Provides twice the connectivity of  
all other products in its class



High performance logic  
controller with online  
programming capability

7" WVGA color touchscreen  
with 1000 nits of brightness

Built-in digital & analog I/O with  
two 500 kHz high-speed counters

Dual 10/100 Ethernet for factory  
and world-wide networking

Two CAN ports for fieldbus  
flexibility

USB 2.0 ports for programming  
& FLASH drive support

32GB microSD slot for  
virtually unlimited data  
logging

### A controller for a wide-range of applications

The XL7 was designed around a high-resolution, wide aspect ratio color touchscreen with 1000 nits of LED backlighting. The display benefits end-users by providing high outdoor visibility and allowing the XL7 to be used in a variety of ambient lighting conditions.

In addition to exceptional display performance, the XL7 contains a powerful logic engine with built-in digital and analog I/O and online programming capability.

### Dual Ethernet for connectivity and flexibility

The XL7 features two high-speed counters and dual 10/100 Ethernet ports, which adds flexibility when linking to factory networks like Modbus/TCP and Ethernet/IP - while also performing standard functions like web serving, FTP file transfer, email and protocol support.

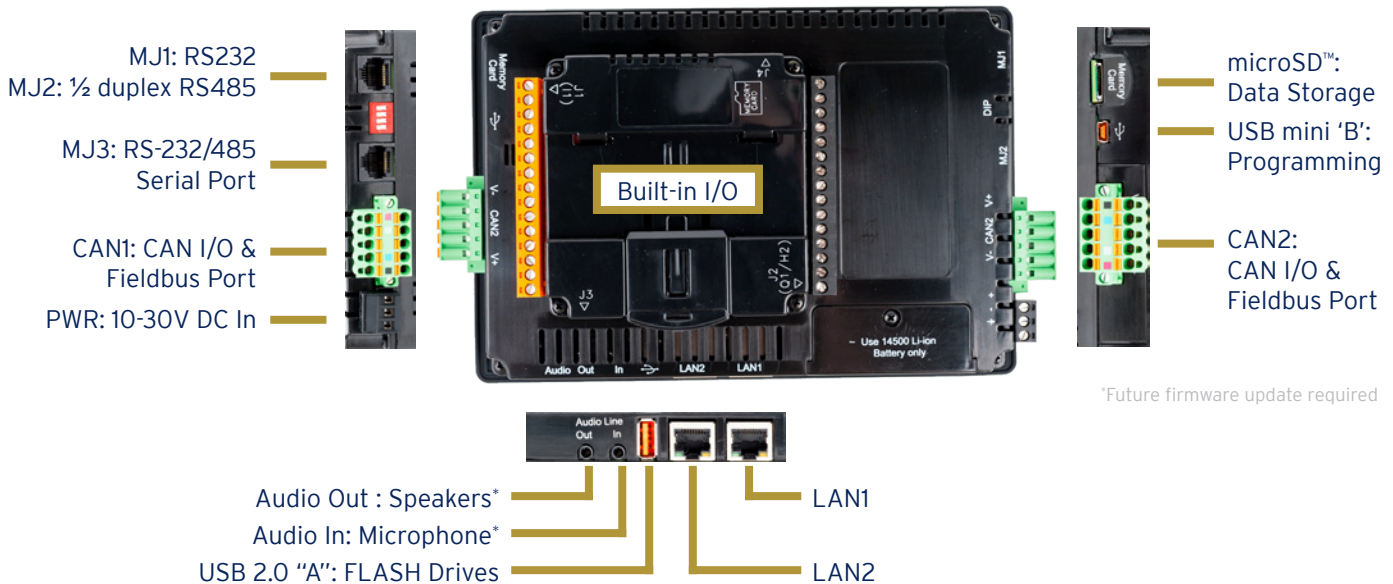
### Two CAN ports put your application in motion

The XL7 includes two CAN ports. One port utilizes CsCAN for Distributed Plug and Play I/O over a 500m distance. The second port provides support for CANopen and J1939 for mobile applications.

## XL7 Specifications

General Specifications		Control & Logic Specifications	
Required Power (steady state)	150mA @ 24Vdc	Control Language Support	Adv. Ladder & Full IEC 1131-3
Primary Power Range	10-30Vdc	Logic Size (scan rate)	1MB, max (0.013mS/K)
Relative Humidity	5 to 95% Non-condensing	Online Programming	Supported in Adv. Ladder
Operating Temp	-40 to +60°C	I/O References Supported	4096 Digital & 1024 Analog
Storage Temp	-40 to +70°C	General Purpose References	50,000 Words & 32,768 bits
Display Specifications		High-speed I/O Specifications	
Display Type	7" TFT Transmissive Color	Number of Counters (size)	2 (32-bits ea.)
Resolution (colors)	800x480 (16-bit)	Maximum Frequency	500kHz each
Screen Memory (screens)	27MB (1023)	Modes Supported	
Backlight Type (life)	White LED (50,000 hours)	Totalizer, Quadrature, Pulse & Frequency Measurement	
Screen Brightness	1000 nits (cd/m <sup>2</sup> )	2 Position Controlled Outputs (1 ON/OFF setpoint/output)	

## XL7 Rear View / Connections



## XL7 Model Numbers

Part #	Description
HE-XW1E0	No Built-in I/O
HE-XW1E2	12 DC In, 6 Relay Out, 4 12-bit Analog In
HE-XW1E3	12 DC In, 12 DC Out, 2 12-bit Analog In
HE-XW1E4	24 DC In, 16 DC Out, 2 12-bit Analog In
HE-XW1E5	12 DC In, 12 DC Out, 2 14/16-bit Analog In (mA/V/Tc/mV/RTD), 2 14-bit Analog Out

## Expansion & Remote I/O



### SmartRail Modular I/O\*

\*Other I/O options available.  
Check our I/O Brochure for additional details.

