

## ZX Series OCS

### Controller Datasheet for HE-ZX452, HE-ZX752 and HE-ZX1152



#### 1. SPECIFICATIONS

	HE-ZX452	HE-ZX752	HE-ZX1152
Required Power (Steady state)	3.0 A @ 24VDC	2.75A @ 24VDC	2.75A @ 24VDC
Primary Power Range	10 – 30 VDC		
Relative Humidity	30 to 90% Non-condensing		
Clock Accuracy	+/- 3 min / month		
Operating Temp	0°C to +45°C		
Storage Temp	-20°C to +60°C		
Display Type	7" WVGA TFT (800 nit typical)	15" XGA TFT (350 nit typical)	22" 1080p TFT (300 nit typical)
Aspect Ratio	15:9	4:3	16:9
Screen Resolutions	800x480	1024x768	1920 x 1080
Ladder Memory	1 MB	1 MB	1 MB
Display Memory	130 MB	130 MB	130 MB
Display Life	50,000 hours @ 25°C		
User Keys	5 virtual function keys	7 virtual function keys	7 virtual function keys
Screens supported	1023		
Colors	65536		
Weight	3lb 1oz (1.39Kg)	11lb 9oz (5.25Kg)	18lb 3oz (8.25Kg)
CPU Type	Intel® Atom Z series Processor 1.1GHz / 1.6GHz	Intel® Atom N270 1.6GHz Processor	Intel® Atom N270 1.6GHz Processor
<b>Connectivity</b>			
Serial	2 Ports 1 - RS232 & 1 - RS485	3 Ports 2 - RS232 & 1 - RS485	3 Ports 2 - RS232 & 1 - RS485
Ethernet	2 10/100/1000 (1 dedicated for I/O), Remote I/O, Peer to Peer, PC, Programming		
USB-A	2 – High Speed 2.0	4 – High Speed 2.0	4 – High Speed 2.0
Removable Media	Supports 2 USB Based Drives		
CAN	2 Ports (1 dedicated to I/O), Remote I/O, Peer to Peer, PC, Programming		
Remote I/O	SmartStix, SmartBlock, SmartMod or SmartRail		
Video	VGA Video Out for Mirrored Display		
Audio	n/a	Mic, Line IN, Line Out (Not Active with Current Firmware)	

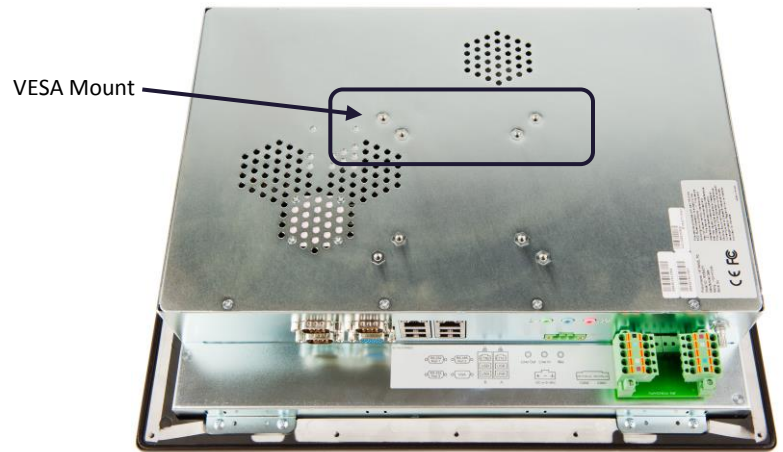
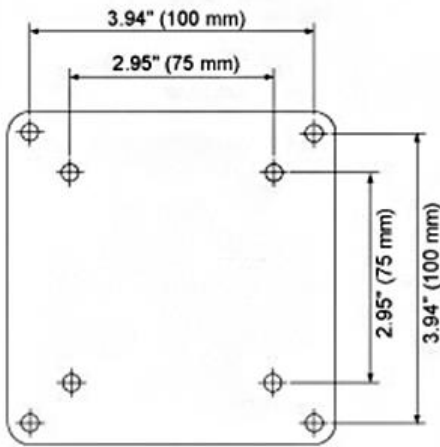
## 2. INSTALLATION

1. Prior to mounting, observe requirements for the panel layout design and spacing/clearances in the OCS ZX Series Manual (MAN1018).
2. Cut the host panel.
3. Insert the OCS through the panel cutout (from the front). The gasket material needs to be between the host panel and the OCS.

**CAUTION: Do not force the OCS into the panel cutout. An incorrectly sized panel cutout can damage the touch screen.**

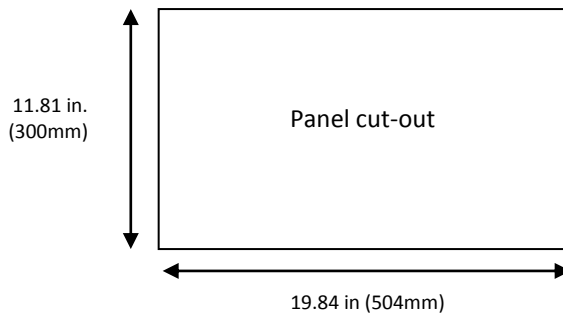
4. Install and tighten the mounting clips (provided with the OCS) until the gasket material forms a tight seal.
5. Connect cables as needed such as communications, programming, power and CsCAN cables to the ports using the provided connectors.
6. Begin configuration procedures.

**NOTE: The ZX1152 and ZX752 also supports standard VESA 75x75 or 100x100 mounting for wall or arm mounting. The ZX452 supports the VESA 75x75 mounting pattern. 4mm screws should be used and are typically supplied with the mount. Memory Expansion Holders can be mounted to VESA pattern, allowing storage of External USB HDDs rated at .5A or less.**



## 3. PANEL CUT-OUT AND DIMENSIONS

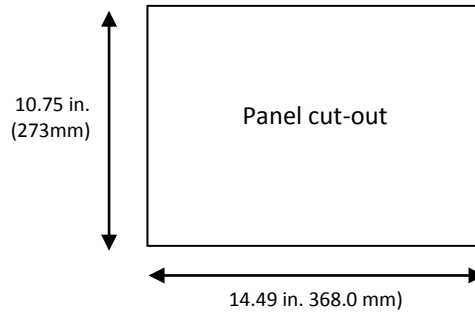
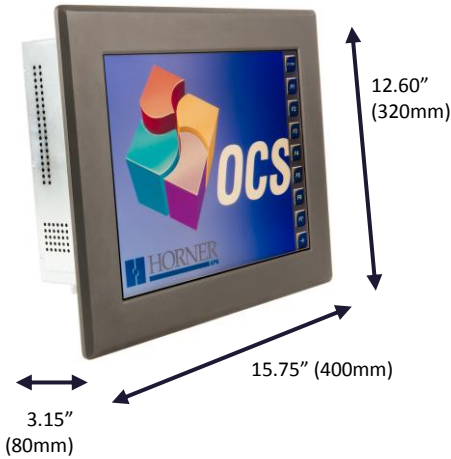
### 3.1 HE-ZX1152 (22")



**NOTES:**

- The tolerance to meet NEMA standards is  $\pm 0.005$ " (0.1 mm).
- Max. panel thickness: 5 mm.
- Refer to the User Manual (MAN0883) for panel box information and a checklist of requirements.

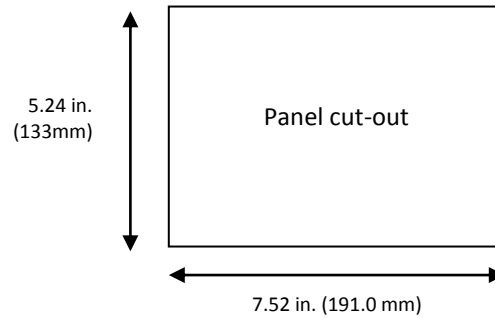
**3.2 HE-ZX752 (15")**



**NOTES:**

- The tolerance to meet NEMA standards is  $\pm 0.005"$  (0.1 mm).
- Max. panel thickness: 5 mm.
- Refer to the User Manual (MAN0883) for panel box information and a checklist of requirements.

**3.3 HE-ZX452 (7")**

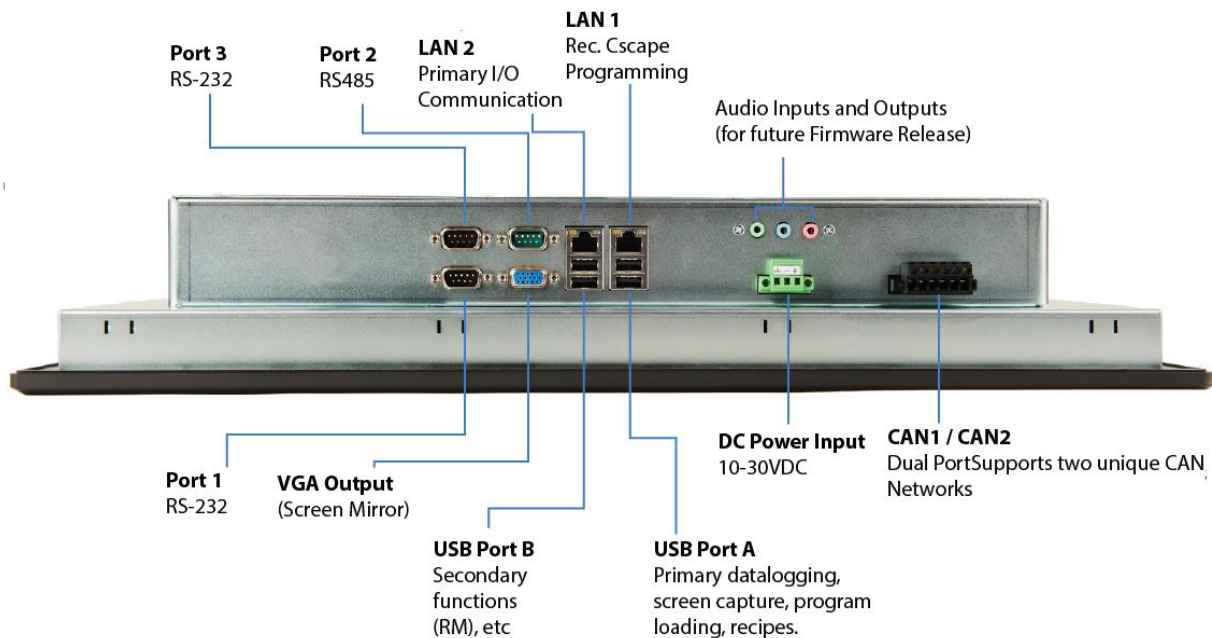


**NOTES:**

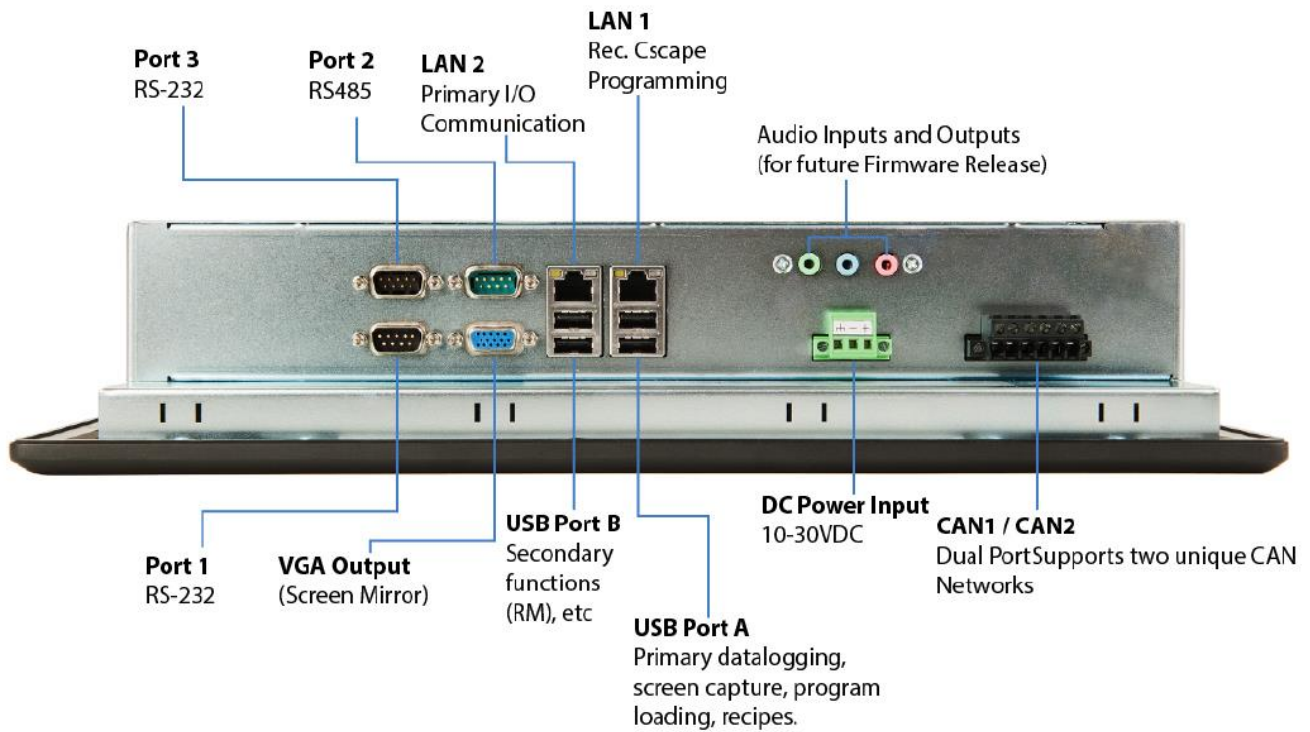
- The tolerance to meet NEMA standards is  $\pm 0.005"$  (0.1 mm).
- Max. panel thickness: 5 mm.
- Refer to the User Manual (MAN0883) for panel box information and a checklist of requirements.

**4. CONNECTORS AND PORTS**

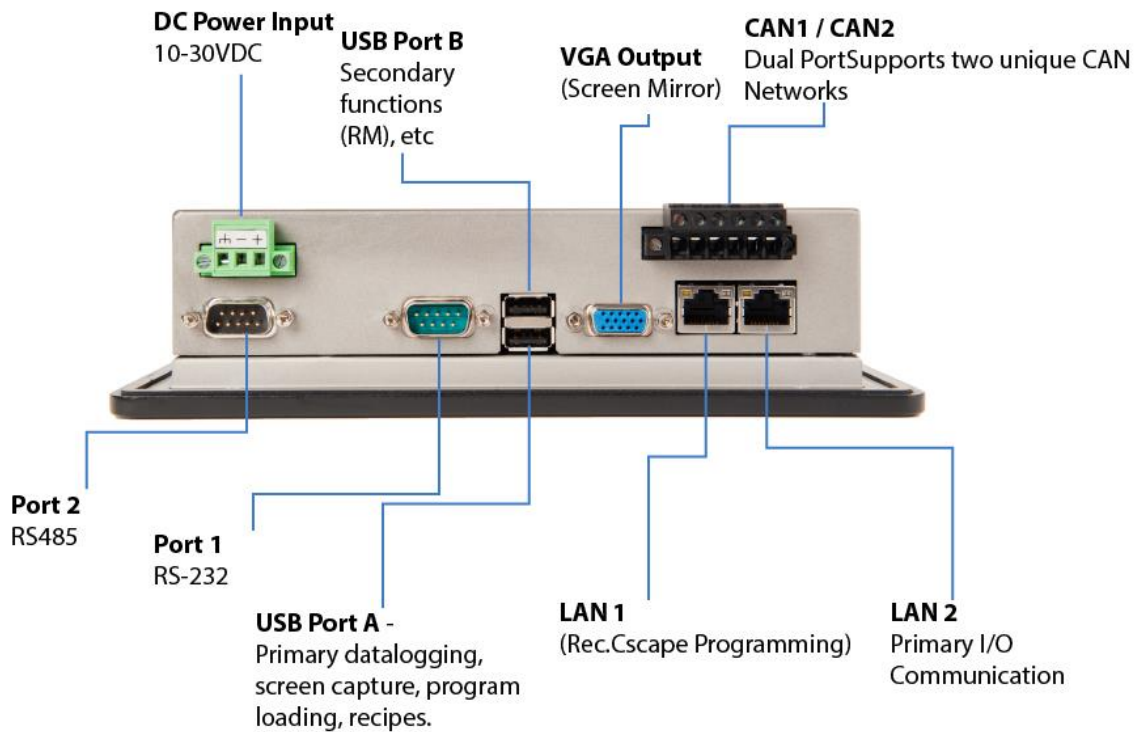
**4.1 ZX1152**



4.2 ZX752



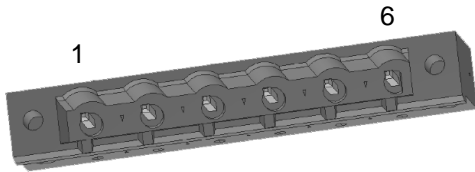
4.3 ZX452



**5. PORT AND CONNECTOR PIN-OUTS**

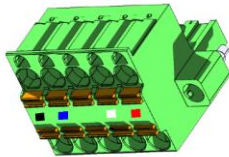
**5.1 CAN Network Port & Wiring**

6 Pin dual CAN connector



CAN 1 Pin Assignments			
Pin	Signal	Signal Description	Direction
1	#1 V-	CAN #1 Ground - Black	-
2	#1 CN_L	CAN #1 Data Low - Blue	In/Out
3	#1 CN_H	CAN #1 Data High - White	In/Out
CAN 2 Pin Assignments			
Pin	Signal	Signal Description	Direction
4	#2 V-	CAN #2 Ground - Black	-
5	#2 CN_L	CAN #2 Data Low - Blue	In/Out
6	#2 CN_H	CAN #2 Data High - White	In/Out

5 Pin CAN connector for Adapter Board

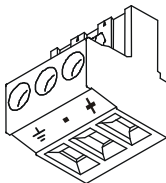


CAN Connector

Use the CAN connector when using CsCAN network  
Torque rating 4.5 – 7 Lb-In (0.50 – 0.78 Nm)

NET Port Pin Assignments			
Pin	Signal	Signal Description	Direction
1	V-	CAN Ground - Black	-
2	CN_L	CAN Data Low - Blue	In/Out
3	SHLD	Shield Ground - None	-
4	CN_H	CAN Data High - White	In/Out
5	V+ (NC)	No Connect - Red	-

**5.2 Power Port & Wiring**



Power Connector

Power up: Connect to Earth Ground,  
apply 10-30 VDC, screens light up with small delay

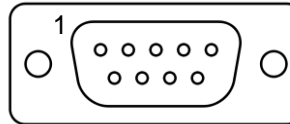
Torque rating 4.5-7 Lb-In (0.50-0.78 NM)

Pin	Signal	Description
1	Ground	Frame Ground
2	V-	Input Power Supply Ground
3	V+	Input Power Supply Voltage

**5.3 Ethernet Port**

<b>Speeds</b>	10 BaseT Ethernet (10-Mbps) 100 BaseTx Fast Ethernet (100-Mbps) 1000 Base Tx Fast Ethernet (1000-Mbps)
<b>Modes</b>	Half or Full Duplex
<b>Auto-Negotiation</b>	10/100/1000-Mbps and Half/Full Duplex
<b>Connector Type</b>	Shielded RJ-45
<b>Cable Type (Recommended)</b>	CAT5 (or better) UTP
<b>Port</b>	Auto MDI/MDI-X

**5.4 Serial Ports 1, 2 and 3**



Serial Port 1&3 Pin Assignments RS-232			
Pin	Signal	Signal Description	Direction
1	CD	Carrier Detect	IN
2	RX	Receive	IN
3	TX	Transmit	OUT
4	DTR	Data Terminal Ready	OUT
5	GND	Ground	-
6	DSR	Data Set Ready	IN
7	RTS	Request to Send	OUT
8	CTS	Clear to Send	IN
9	RI	Ring Indicate	IN

Serial Port 2 Pin Assignments RS-485			
Pin	Signal	Signal Description	Direction
1	TX/RX -	Receive/Transmit -	In/Out
2	TX/RX +	Receive/Transmit +	In/Out
3	NC	Do Not Connect	-
4	NC	Do Not Connect	-
5	GND	Ground	-
6	DSR	Data Set Ready	IN
7	RTS	Request to Send	OUT
8	CTS	Clear to Send	IN
9	RI	Ring Indicate	IN

**5.5 VGA Port**

The VGA port allows the items displayed on the internal display to be mirrored to an external display or projects. The connector uses standard analog VGA signaling and should work with a variety of monitors, displays and projects. The external display should support the native resolution of the ZX unit.

**5.6 USB Ports**

The ZX units have two (ZX452) or four (ZX752 & ZX1152) standard USB ports supporting high speed USB 2.0. These ports will support external drives for data storage such as data logging, screen captures, program loading... Drives larger than 2 gigabytes are supported and should be formatted with FAT-32. Future firmware updates will allow other peripherals to be connected to these ports

## 6. TECHNICAL SUPPORT

For assistance and manual updates, contact Technical Support at the following locations:

### North America

Tel: 1877-665-5666

Fax: 317 639-4279

Web: <http://www.heapg.com>

Email: [techspt@heapg.com](mailto:techspt@heapg.com)

### Europe

Tel: +353-21-4321266

Fax: +353-21-4321826

Web: <http://www.horner-apg.com>

Email: [tech.support@horner-apg.com](mailto:tech.support@horner-apg.com)

## 7. SAFETY

When found on the product, the following symbols specify:



**WARNING:** Electrical Shock Hazard.



**WARNING:** Consult user documentation.

**WARNING:** To avoid the risk of electric shock or burns, always connect the safety (or earth) ground before making any other connections.

**WARNING:** To reduce the risk of fire, electrical shock, or physical injury it is strongly recommended to fuse the voltage measurement inputs. Be sure to locate fuses as close to the source as possible.

**WARNING:** Replace fuse with the same type and rating to provide protection against risk of fire and shock hazards.

**WARNING:** In the event of repeated failure, do not replace the fuse again as a repeated failure indicates a defective condition that will not clear by replacing the fuse.

**WARNING - Battery May Explode If Mistreated. Do Not Recharge, Disassemble or Dispose Of In Fire**

**WARNING:** Only qualified electrical personnel familiar with the construction and operation of this equipment and the hazards involved should install, adjust, operate, or service this equipment. Read and understand this manual and other applicable manuals in their entirety before proceeding. Failure to observe this precaution could result in severe bodily injury or loss of life.

This device complies with part 15 of the FCC Rules. Operation is subject to the following two conditions:

1. This device may not cause harmful interference.
2. This device must accept any interference received, including interference that may cause undesired operation.

- All applicable codes and standards need to be followed in the installation of this product.
- Adhere to the following safety precautions whenever any type of connection is made to the module:
  - Connect the safety (earth) ground on the power connector first before making any other connections.
  - When connecting to electric circuits or pulse-initiating equipment, open their related breakers.
  - Do not make connections to live power lines.
  - Make connections to the module first; then connect to the circuit to be monitored.
  - Route power wires in a safe manner in accordance with good practice and local codes.
  - Wear proper personal protective equipment including safety glasses and insulated gloves when making connections to power circuits.
  - Ensure hands, shoes, and floors are dry before making any connection to a power line.
  - Make sure the unit is turned OFF before making connection to terminals.
  - Make sure all circuits are de-energized before making connections.
  - Before each use, inspect all cables for breaks or cracks in the insulation. Replace immediately if defective.